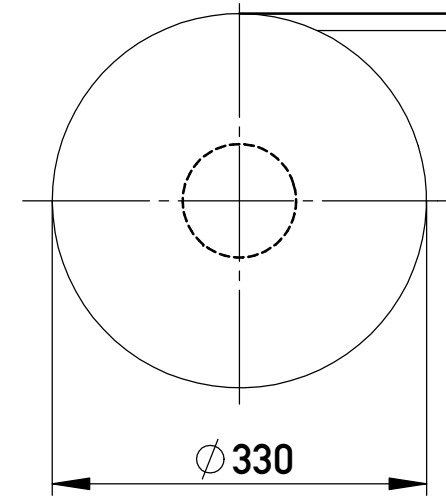
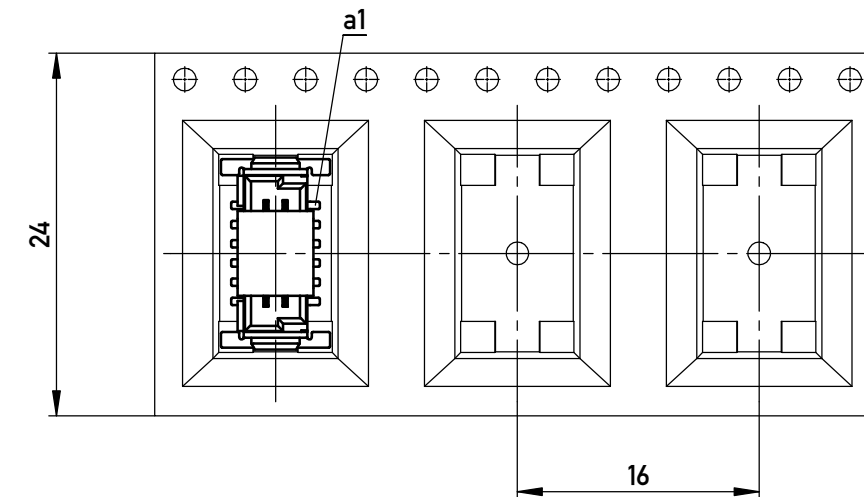


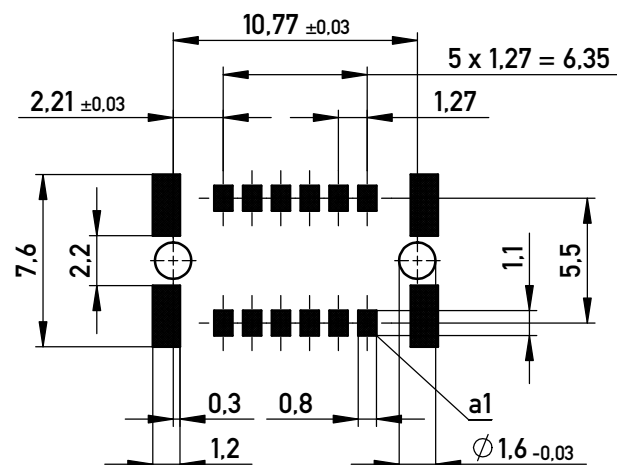
Verpackt im Gurt nach DIN IEC 60286-3
 Tape on Reel Packaging according to DIN IEC 60286-3
 Verpackungseinheit: 280 Stück
 Packaging unit: 280 pcs



Abspulrichtung - Reel off Direction



Leiterplatten-Layout Vorschlag für SMT
 PCB-Layout Proposal for SMT



BA 8-03 - Standard Bauhöhe

type 8-03 - Standard Assembly Height

Information:		Tolerances	 All Dimensions in mm	Scale	3:1
All rights reserved. Only for Information. To ensure that this is the latest version of this drawing, please contact one of the ERNI companies before using.		Subject to modification without prior notice. Drawing will not be updated.		Designation	
 www.ERNI.com		Messerrl. SMC-Q-12-SMD-BA8-03 Male SMC-Q 12-SMD-type8-03		101703210089	
e	13.10.2015	 www.ERNI.com		Class SMCQ	
Index	Date			K A3	

Copyright by ERNI GmbH
 Proprietary notice pursuant to ISO 16016 to be observed.